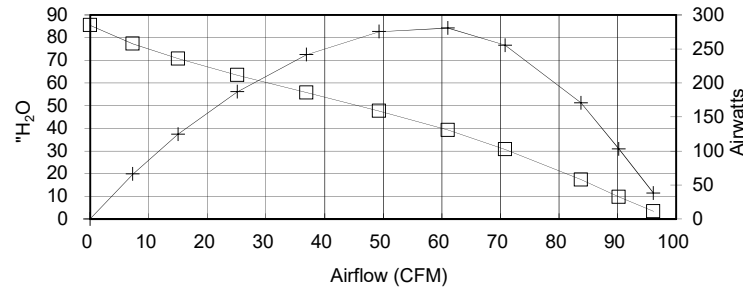


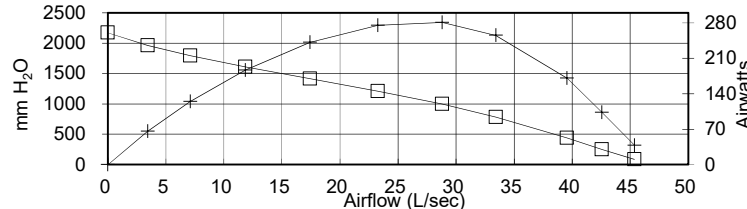
**QM6600-135T
AIRFLOW
PERFORMANCE**

Volts = 120



ORIFICE (Inches)	SUCTION (H ₂ O)	INPUT WATTS	AMPS	RPM'S	CORR. SUCTION (H ₂ O)	AIR FLOW (CFM)	CORR. INPUT WATTS	AIR WATTS	H.P.	OVERALL EFF.(%)
2	3.21	861	7.6	18,834	3.4	96.1	895	38.05	0.051	4.25
1.5	9.25	868	7.7	18,728	9.7	90.2	902	103.04	0.138	11.43
1.25	16.51	876	7.7	18,531	17.4	83.8	911	170.85	0.229	18.77
1	29.19	887	7.8	18,355	30.7	70.8	922	255.32	0.342	27.68
0.875	37.24	880	7.8	18,397	39.2	61.0	915	280.77	0.376	30.69
0.75	45.26	862	7.6	18,716	47.6	49.3	895	275.55	0.369	30.77
0.625	52.95	825	7.2	19,287	55.7	36.9	857	241.47	0.324	28.16
0.5	60.28	779	6.8	20,103	63.4	25.1	809	186.88	0.251	23.09
0.375	67.15	730	6.4	21,004	70.7	15.0	759	124.74	0.167	16.43
0.25	73.40	702	6.1	21,593	77.2	7.3	729	66.05	0.089	9.07
0	81.20	648	5.6	22,752	85.4	0.0	673	0.00	0.000	0.00

POLYNOMIAL PEAK AIRWATTS: **284.05**



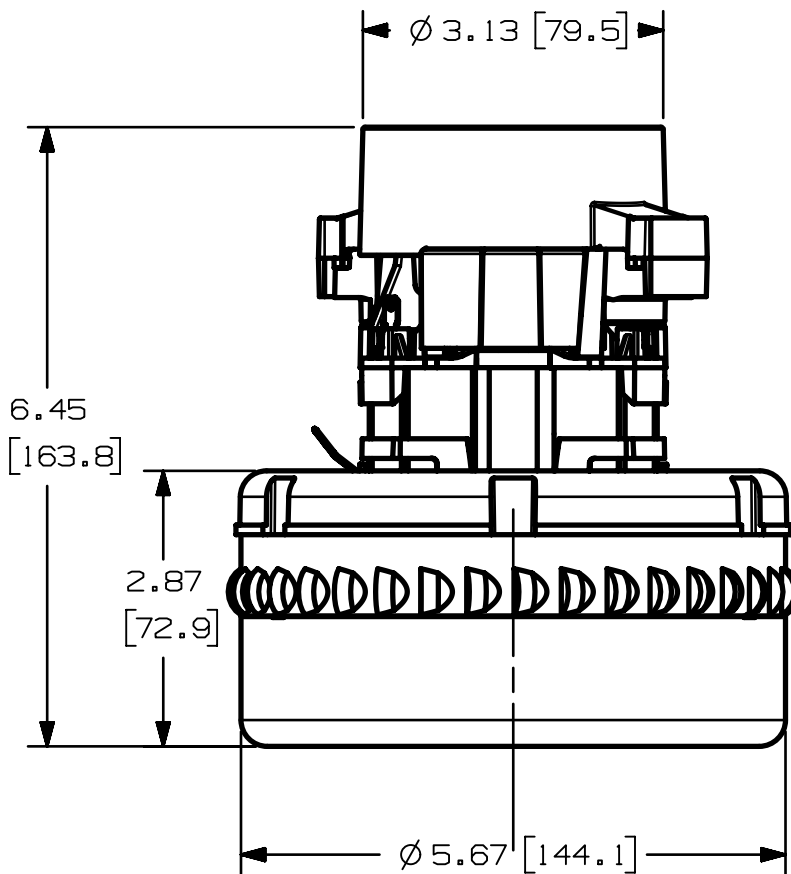
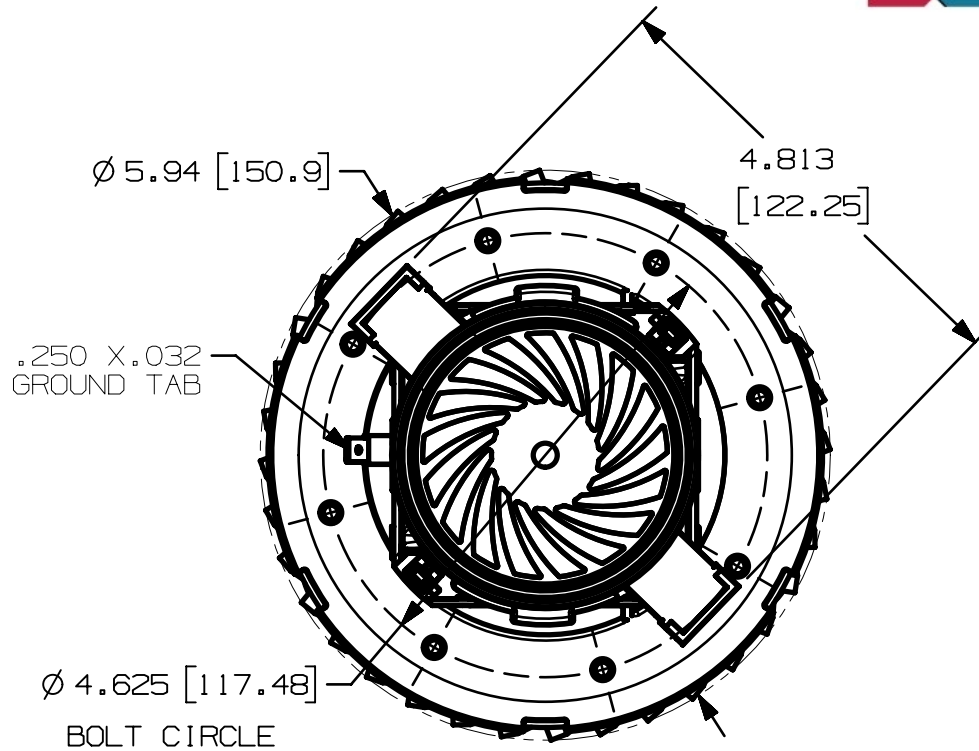
Metric Data					CORR. SUCTION	AIR FLOW	CORR. INPUT	AIR	H.P.	OVERALL
ORIFICE (mm)	SUCTION (mm H ₂ O)	INPUT WATTS	AMPS	RPM'S	(mm H ₂ O)	(L/sec)	WATTS	WATTS		EFF.(%)
50.8	81	861	7.6	18,834	86	45.4	895	38.0	0.051	4.25
38.1	235	868	7.7	18,728	247	42.6	902	103.0	0.138	11.43
31.8	419	876	7.7	18,531	441	39.6	911	170.9	0.229	18.77
25.4	741	887	7.8	18,355	780	33.4	922	255.3	0.342	27.68
22.2	946	880	7.8	18,397	995	28.8	915	280.8	0.376	30.69
19.1	1150	862	7.6	18,716	1210	23.3	895	275.5	0.369	30.77
15.9	1345	825	7.2	19,287	1415	17.4	857	241.5	0.324	28.16
12.7	1531	779	6.8	20,103	1611	11.8	809	186.9	0.251	23.09
9.5	1706	730	6.4	21,004	1795	7.1	759	124.7	0.167	16.43
6.4	1864	702	6.1	21,593	1962	3.4	729	66.1	0.089	9.07
0.0	2062	648	5.6	22,752	2170	0.0	673	0.0	0.000	0.00

POLYNOMIAL PEAK AIRWATTS: **284.05**

ORIFICE (mm)	SUCTION (kPa)	INPUT WATTS	AMPS	RPM'S	CORR. SUCTION (kPa)	AIR FLOW (cu m/h)	CORR. INPUT WATTS	AIR WATTS	H.P.	OVERALL EFF.(%)
50.8	0.798	861	7.6	18,834	0.84	163.33	895	38.0	0.051	4.25
38.1	2.304	868	7.7	18,728	2.42	153.26	902	103.0	0.138	11.43
31.8	4.112	876	7.7	18,531	4.33	142.38	911	170.9	0.229	18.77
25.4	7.269	887	7.8	18,355	7.65	120.37	922	255.3	0.342	27.68
22.2	9.276	880	7.8	18,397	9.76	103.73	915	280.8	0.376	30.69
19.1	11.272	862	7.6	18,716	11.86	83.77	895	275.5	0.369	30.77
15.9	13.188	825	7.2	19,287	13.88	62.75	857	241.5	0.324	28.16
12.7	15.013	779	6.8	20,103	15.80	42.66	809	186.9	0.251	23.09
9.5	16.726	730	6.4	21,004	17.60	25.56	759	124.7	0.167	16.43
6.4	18.281	702	6.1	21,593	19.24	12.38	729	66.1	0.089	9.07
0.0	20.224	648	5.6	22,752	21.28	0.00	673	0.0	0.000	0.00

POLYNOMIAL PEAK AIRWATTS: **284.05**

Standard performance data is typical for a motor from a large production quantity. An individual motor's performance will vary due to normal manufacturing variations. Test standards @ 120 volts, corrected to standard atmospheric conditions: Minimum sealed vacuum = 76.90 inH2O, 1953 mmH2O or 19.15 Pa, Maximum open watts = 1011 watts.


Models:

Q6600-019T
 Q6600-020T
 Q6600-022T
 Q6600-023T
 Q6600-024T
 Q6600-030T
 Q6600-074T
 Q6600-125T
 Q6600-135T
 Q6600-136T
 Q6600-180T
 Q6600-190T
 Q6600-197T
 Q6600-203T
 Q6600-208T
 Q6600-219T
 Q6600-220T
 Q6600-223T
 Q6600-224T
 Q6600-231T