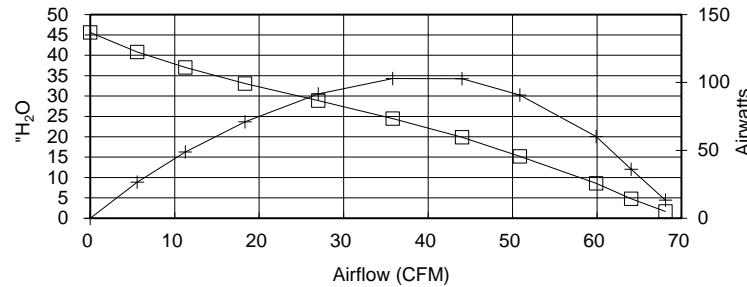


Q6600-148A-MPL

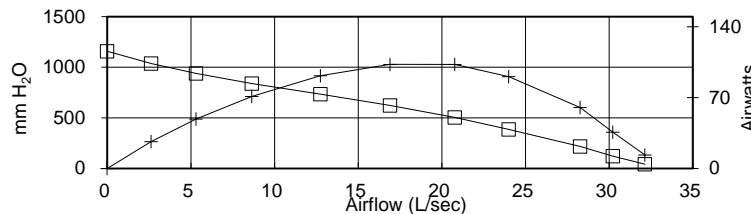
AIRFLOW PERFORMANCE

Volts = 24



ORIFICE (Inches)	SUCTION (H ₂ O)	INPUT WATTS	AMPS	RPM'S	CORR. SUCTION (H ₂ O)	AIR FLOW (CFM)	CORR. INPUT WATTS	AIR WATTS	H.P.	OVERALL EFF.(%)
2	1.59	383	16.0	13,306	1.7	68.1	396	13.30	0.018	3.36
1.5	4.58	382	16.0	13,163	4.8	64.0	395	36.00	0.048	9.11
1.25	8.19	384	16.0	13,083	8.6	59.9	397	60.24	0.081	15.17
1	14.51	385	16.1	12,981	15.2	50.9	398	90.65	0.122	22.76
0.875	19.01	384	16.1	13,062	19.9	44.0	398	102.81	0.138	25.84
0.75	23.38	379	15.9	13,209	24.5	35.8	393	102.90	0.138	26.20
0.625	27.61	370	15.4	13,610	28.9	27.0	383	91.58	0.123	23.93
0.5	31.59	357	14.9	14,076	33.1	18.3	369	71.11	0.095	19.26
0.375	35.35	343	14.3	14,709	37.0	11.3	355	48.87	0.066	13.78
0.25	38.97	330	13.8	15,228	40.8	5.6	341	26.65	0.036	7.81
0	43.55	318	13.3	15,873	45.6	0.0	329	0.00	0.000	0.00

POLYNOMIAL PEAK AIRWATTS: 104.16



Metric Data					CORR. SUCTION	AIR FLOW	CORR. INPUT	AIR	H.P.	OVERALL
ORIFICE (mm)	SUCTION (mm H ₂ O)	INPUT WATTS	AMPS	RPM'S	(mm H ₂ O)	(L/Sec)	WATTS	WATTS		EFF.(%)
50.8	40	383	16.0	13,306	42	32.1	396	13.3	0.018	3.36
38.1	116	382	16.0	13,163	122	30.2	395	36.0	0.048	9.11
31.8	208	384	16.0	13,083	218	28.3	397	60.2	0.081	15.17
25.4	368	385	16.1	12,981	386	24.0	398	90.6	0.122	22.76
22.2	483	384	16.1	13,062	506	20.8	398	102.8	0.138	25.84
19.1	594	379	15.9	13,209	622	16.9	393	102.9	0.138	26.20
15.9	701	370	15.4	13,610	734	12.7	383	91.6	0.123	23.93
12.7	802	357	14.9	14,076	840	8.6	369	71.1	0.095	19.26
9.5	898	343	14.3	14,709	940	5.3	355	48.9	0.066	13.78
6.4	990	330	13.8	15,228	1036	2.6	341	26.6	0.036	7.81
0.0	1106	318	13.3	15,873	1158	0.0	329	0.0	0.000	0.00

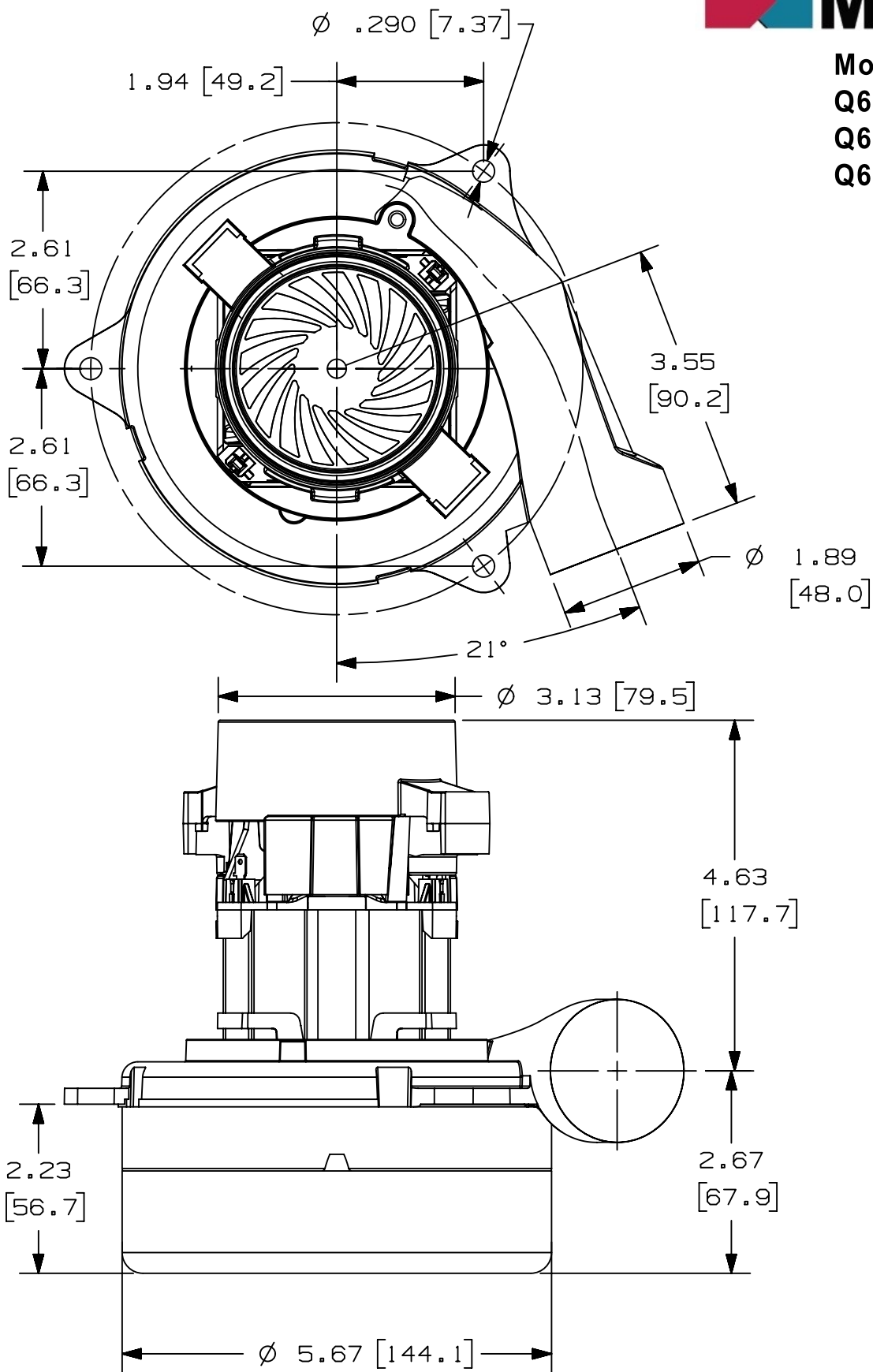
POLYNOMIAL PEAK AIRWATTS: 104.16

ORIFICE (mm)	SUCTION (kPa)	INPUT WATTS	AMPS	RPM'S	CORR. SUCTION (kPa)	AIR FLOW (cu m/h)	CORR. INPUT WATTS	AIR WATTS	H.P.	OVERALL EFF.(%)
50.8	0.396	383	16.0	13,306	0.41	115.71	396	13.3	0.018	3.36
38.1	1.140	382	16.0	13,163	1.19	108.82	395	36.0	0.048	9.11
31.8	2.039	384	16.0	13,083	2.13	101.78	397	60.2	0.081	15.17
25.4	3.613	385	16.1	12,981	3.78	86.42	398	90.6	0.122	22.76
22.2	4.735	384	16.1	13,062	4.96	74.78	398	102.8	0.138	25.84
19.1	5.824	379	15.9	13,209	6.10	60.86	393	102.9	0.138	26.20
15.9	6.876	370	15.4	13,610	7.20	45.87	383	91.6	0.123	23.93
12.7	7.867	357	14.9	14,076	8.24	31.14	369	71.1	0.095	19.26
9.5	8.805	343	14.3	14,709	9.22	19.12	355	48.9	0.066	13.78
6.4	9.705	330	13.8	15,228	10.16	9.46	341	26.6	0.036	7.81
0.0	10.847	318	13.3	15,873	11.36	0.00	329	0.0	0.000	0.00

POLYNOMIAL PEAK AIRWATTS: 104.16

Standard performance data is typical for a motor from a large production quantity. An individual motor's performance will vary due to normal manufacturing variations. Test standards @ 24DC volts, corrected to standard atmospheric conditions: Minimum sealed vacuum = 38.1 inH₂O, 1042 mmH₂O or 10.22 Pa, Maximum open watts = 448 watts.

Model:
Q6600-148A
Q6600-149A
Q6600-159A



NOTE: Dimensions are for reference only and subject to change.
Tolerances of up to ± 0.040 " (1.0mm) can be expected.