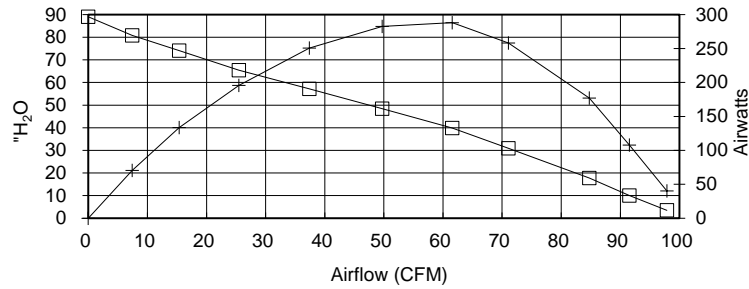


**Q6600-033T-MP  
AIRFLOW  
PERFORMANCE**

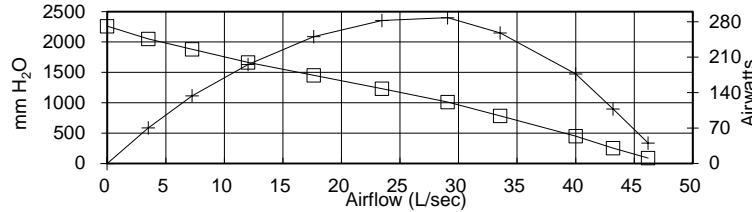


**Volts = 120**



ORIFICE (Inches)	SUCTION (H <sub>2</sub> O)	INPUT WATTS	AMPS	RPM'S	CORR. SUCTION (H <sub>2</sub> O)	AIR FLOW (CFM)	CORR. INPUT WATTS	AIR WATTS	H.P.	OVERALL EFF.(%)
2	3.36	931	8.0	19,085	3.5	97.9	961	40.20	0.054	4.18
1.5	9.62	934	8.0	18,989	10.0	91.5	965	107.72	0.144	11.17
1.25	17.06	936	8.1	18,894	17.8	84.8	966	177.04	0.237	18.32
1	29.65	939	8.1	18,780	30.9	71.1	969	258.00	0.346	26.62
0.875	38.23	929	8.0	18,866	39.9	61.6	959	288.15	0.386	30.05
0.75	46.45	907	7.8	19,140	48.4	49.7	936	282.67	0.379	30.19
0.625	54.80	871	7.5	19,728	57.2	37.4	899	250.80	0.336	27.88
0.5	62.74	824	7.1	20,486	65.4	25.5	851	195.79	0.262	23.01
0.375	71.00	775	6.6	21,446	74.1	15.4	800	133.60	0.179	16.71
0.25	77.47	734	6.3	22,289	80.8	7.4	757	70.50	0.095	9.31
0	85.35	698	5.9	23,125	89.0	0.0	721	0.00	0.000	0.00

POLYNOMIAL PEAK AIRWATTS: **289.55**



<i>Metric Data</i>					CORR. SUCTION	AIR FLOW	CORR. INPUT	AIR	H.P.	OVERALL
ORIFICE (mm)	SUCTION (mm H <sub>2</sub> O)	INPUT WATTS	AMPS	RPM'S	(mm H <sub>2</sub> O)	(L/sec)	WATTS	WATTS		EFF.(%)
50.8	85	931	8.0	19,085	89	46.2	961	40.2	0.054	4.18
38.1	244	934	8.0	18,989	255	43.2	965	107.7	0.144	11.17
31.8	433	936	8.1	18,894	452	40.0	966	177.0	0.237	18.32
25.4	753	939	8.1	18,780	786	33.6	969	258.0	0.346	26.62
22.2	971	929	8.0	18,866	1013	29.1	959	288.2	0.386	30.05
19.1	1180	907	7.8	19,140	1231	23.5	936	282.7	0.379	30.19
15.9	1392	871	7.5	19,728	1452	17.6	899	250.8	0.336	27.88
12.7	1594	824	7.1	20,486	1662	12.0	851	195.8	0.262	23.01
9.5	1803	775	6.6	21,446	1881	7.3	800	133.6	0.179	16.71
6.4	1968	734	6.3	22,289	2052	3.5	757	70.5	0.095	9.31
0.0	2168	698	5.9	23,125	2261	0.0	721	0.0	0.000	0.00

POLYNOMIAL PEAK AIRWATTS: **289.55**

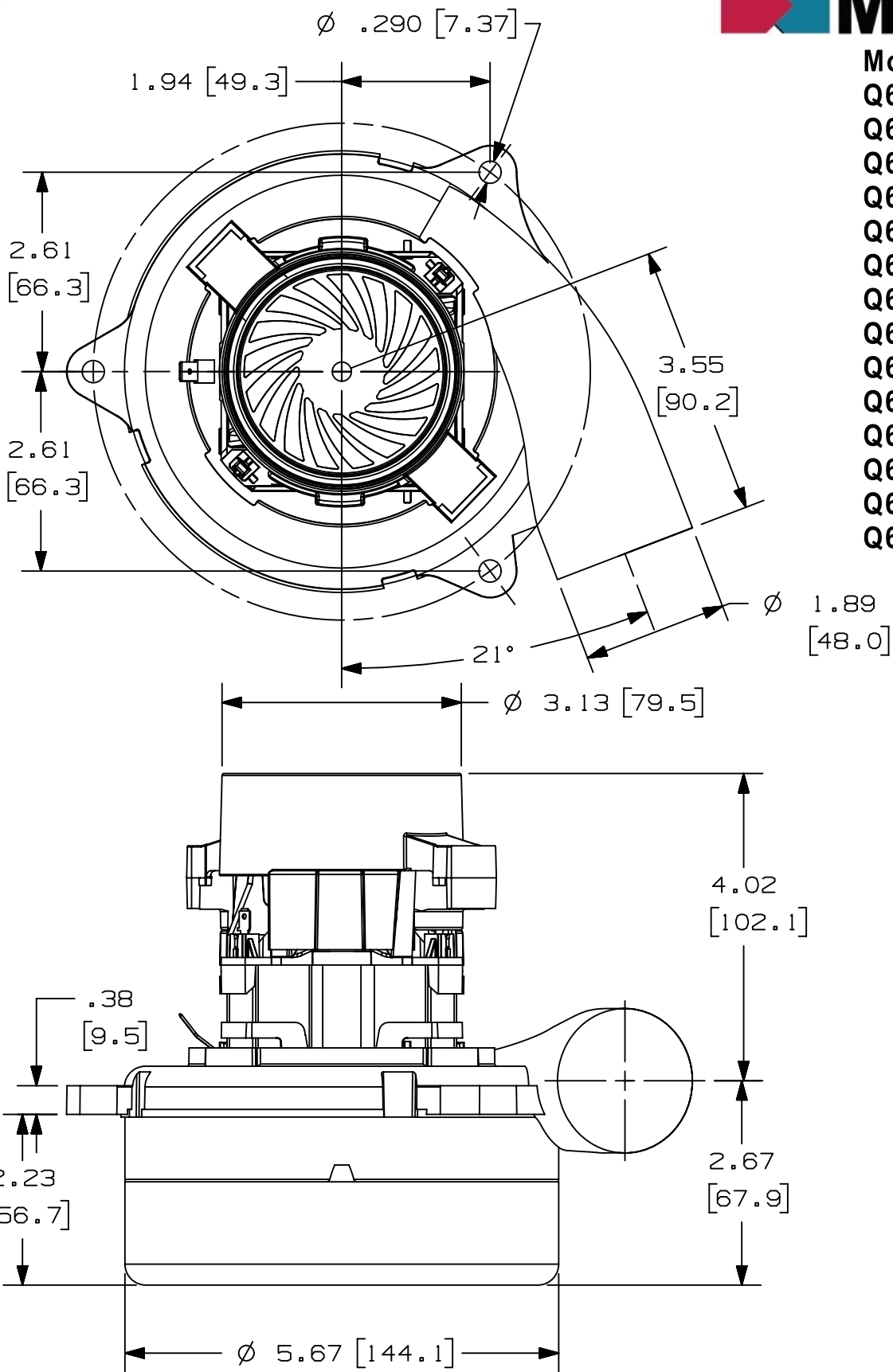
ORIFICE (mm)	SUCTION (kPa)	INPUT WATTS	AMPS	RPM'S	CORR. SUCTION (kPa)	AIR FLOW (cu m/h)	CORR. INPUT WATTS	AIR WATTS	H.P.	OVERALL EFF.(%)
50.8	0.836	931	8.0	19,085	0.87	166.30	961	40.2	0.054	4.18
38.1	2.395	934	8.0	18,989	2.50	155.51	965	107.7	0.144	11.17
31.8	4.249	936	8.1	18,894	4.43	144.04	966	177.0	0.237	18.32
25.4	7.385	939	8.1	18,780	7.70	120.78	969	258.0	0.346	26.62
22.2	9.522	929	8.0	18,866	9.93	104.62	959	288.2	0.386	30.05
19.1	11.569	907	7.8	19,140	12.07	84.48	936	282.7	0.379	30.19
15.9	13.648	871	7.5	19,728	14.24	63.53	899	250.8	0.336	27.88
12.7	15.627	824	7.1	20,486	16.30	43.32	851	195.8	0.262	23.01
9.5	17.684	775	6.6	21,446	18.44	26.12	800	133.6	0.179	16.71
6.4	19.295	734	6.3	22,289	20.13	12.63	757	70.5	0.095	9.31
0.0	21.259	698	5.9	23,125	22.17	0.00	721	0.0	0.000	0.00

POLYNOMIAL PEAK AIRWATTS: **289.55**

Standard performance data is typical for a motor from a large production quantity. An individual motor's performance will vary due to normal manufacturing variations. Test standards @ 120 volts, corrected to standard atmospheric conditions: Minimum sealed vacuum = 80.13 inH<sub>2</sub>O, 2035 mmH<sub>2</sub>O or 19.96 Pa, Maximum open watts = 1086 watts.

**Models:**

- Q6600-033T
- Q6600-037T
- Q6600-038T
- Q6600-110T
- Q6600-118T
- Q6600-133T
- Q6600-134T
- Q6600-139T
- Q6600-145T
- Q6600-162T
- Q6600-164T
- Q6600-188T
- Q6600-207T
- Q6600-232T



NOTE: Dimensions are for reference only and subject to change.  
Tolerances of up to  $\pm .040$ " (1.0mm) can be expected.