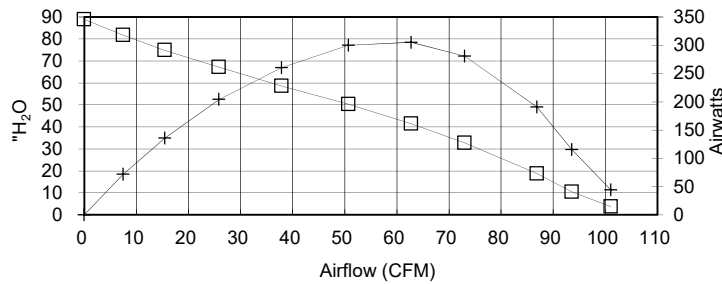


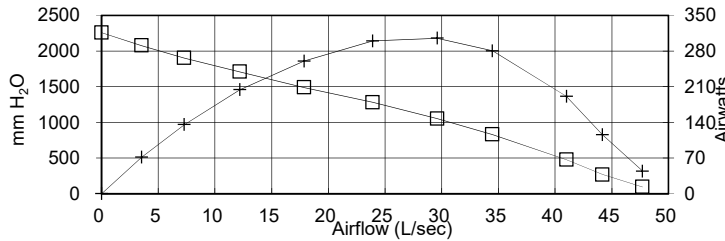
**Q6600-019T**  
**AIRFLOW**  
**PERFORMANCE**

**Volts = 120**



ORIFICE (Inches)	SUCTION (inches H <sub>2</sub> O)	INPUT WATTS	AMPS	RPM'S	CORR. SUCTION (inches H <sub>2</sub> O)	AIR FLOW (CFM)	CORR. INPUT WATTS	AIR WATTS	H.P.	OVERALL EFF.(%)
2	3.60	967	8.1	19,440	3.7	101.1	995	44.32	0.059	4.46
1.5	10.12	974	8.2	19,290	10.5	93.6	1002	115.40	0.155	11.52
1.25	18.04	976	8.2	19,110	18.7	86.9	1004	190.94	0.256	19.02
1	31.52	983	8.3	19,020	32.7	73.0	1011	280.43	0.376	27.74
0.875	39.92	980	8.3	19,020	41.4	62.7	1008	305.11	0.409	30.27
0.75	48.56	962	8.1	19,290	50.4	50.7	989	299.86	0.402	30.31
0.625	56.48	923	7.7	19,950	58.6	37.9	949	260.48	0.349	27.44
0.5	64.80	876	7.3	20,190	67.3	25.8	901	203.97	0.273	22.64
0.375	72.12	828	6.9	21,180	74.9	15.5	852	135.80	0.182	15.95
0.25	78.76	789	6.6	22,440	81.8	7.5	811	71.75	0.096	8.84
0	85.60	761	6.3	23,100	88.9	0.0	783	0.00	0.000	0.00

POLYNOMIAL PEAK AIRWATTS: **307.90**



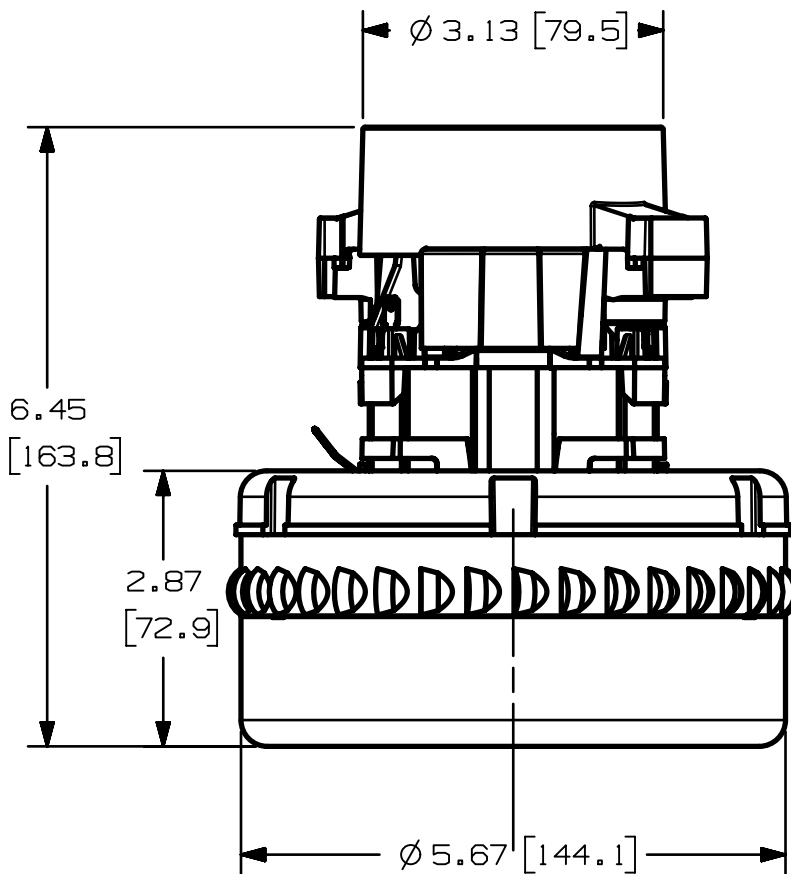
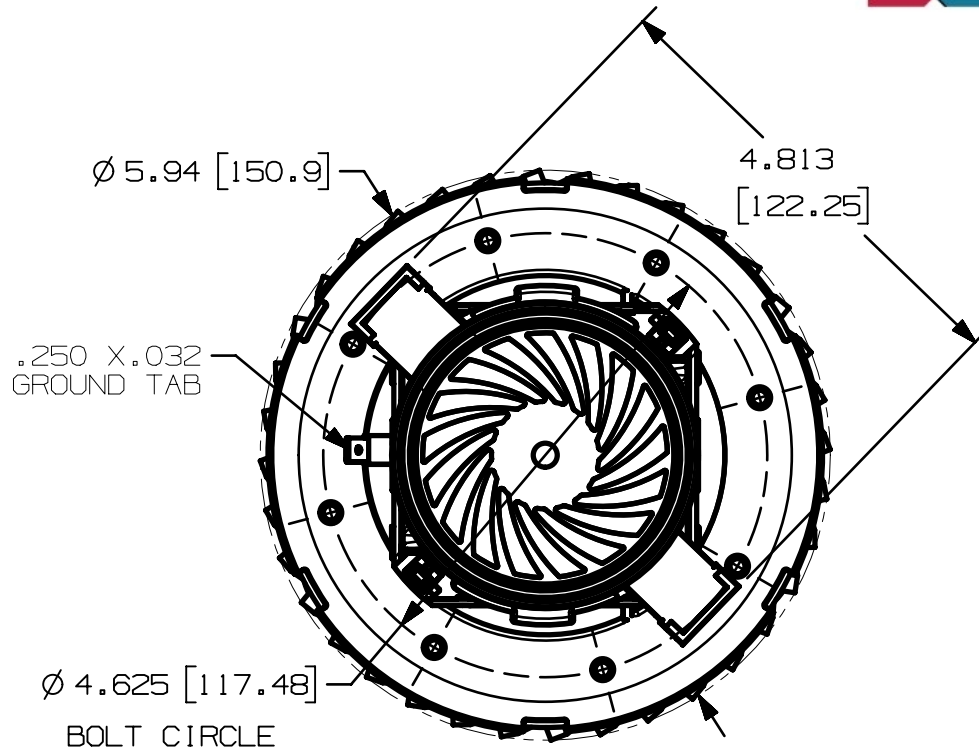
Metric Data					CORR. SUCTION (mm H <sub>2</sub> O)	AIR FLOW (L/sec)	CORR. INPUT WATTS	AIR WATTS	H.P.	OVERALL EFF.(%)
ORIFICE (mm)	SUCTION (mm H <sub>2</sub> O)	INPUT WATTS	AMPS	RPM'S						
50.8	91	967	8.1	19,440	95	47.7	995	44.3	0.059	4.46
38.1	257	974	8.2	19,290	267	44.2	1002	115.4	0.155	11.52
31.8	458	976	8.2	19,110	476	41.0	1004	190.9	0.256	19.02
25.4	801	983	8.3	19,020	831	34.5	1011	280.4	0.376	27.74
22.2	1014	980	8.3	19,020	1053	29.6	1008	305.1	0.409	30.27
19.1	1233	962	8.1	19,290	1280	23.9	989	299.9	0.402	30.31
15.9	1435	923	7.7	19,950	1489	17.9	949	260.5	0.349	27.44
12.7	1646	876	7.3	20,190	1708	12.2	901	204.0	0.273	22.64
9.5	1832	828	6.9	21,180	1901	7.3	852	135.8	0.182	15.95
6.4	2001	789	6.6	22,440	2077	3.5	811	71.7	0.096	8.84
0.0	2174	761	6.3	23,100	2257	0.0	783	0.0	0.000	0.00

POLYNOMIAL PEAK AIRWATTS: **307.90**

ORIFICE (mm)	SUCTION (kPa)	INPUT WATTS	AMPS	RPM'S	CORR. SUCTION (kPa)	AIR FLOW (cu m/h)	CORR. INPUT WATTS	AIR WATTS	H.P.	OVERALL EFF.(%)
50.8	0.897	967	8.1	19,440	0.93	171.72	995	44.3	0.059	4.46
38.1	2.521	974	8.2	19,290	2.62	159.06	1002	115.4	0.155	11.52
31.8	4.493	976	8.2	19,110	4.66	147.64	1004	190.9	0.256	19.02
25.4	7.851	983	8.3	19,020	8.15	124.10	1011	280.4	0.376	27.74
22.2	9.943	980	8.3	19,020	10.32	106.61	1008	305.1	0.409	30.27
19.1	12.095	962	8.1	19,290	12.55	86.14	989	299.9	0.402	30.31
15.9	14.067	923	7.7	19,950	14.60	64.33	949	260.5	0.349	27.44
12.7	16.140	876	7.3	20,190	16.75	43.91	901	204.0	0.273	22.64
9.5	17.963	828	6.9	21,180	18.65	26.27	852	135.8	0.182	15.95
6.4	19.617	789	6.6	22,440	20.36	12.71	811	71.7	0.096	8.84
0.0	21.320	761	6.3	23,100	22.13	0.00	783	0.0	0.000	0.00

POLYNOMIAL PEAK AIRWATTS: **307.90**

Standard performance data is typical for a motor from a large production quantity. An individual motor's performance will vary due to normal manufacturing variations. Test standards @ 120 volts, corrected to standard atmospheric conditions: Minimum sealed vacuum = 79.97 in H<sub>2</sub>O, 2031 mm H<sub>2</sub>O or 19.92 kPa, Maximum open watts = 1124 watts.


**Models:**

Q6600-019T  
 Q6600-020T  
 Q6600-022T  
 Q6600-023T  
 Q6600-024T  
 Q6600-030T  
 Q6600-074T  
 Q6600-125T  
 Q6600-135T  
 Q6600-136T  
 Q6600-180T  
 Q6600-190T  
 Q6600-197T  
 Q6600-203T  
 Q6600-208T  
 Q6600-219T  
 Q6600-220T  
 Q6600-223T  
 Q6600-224T  
 Q6600-231T